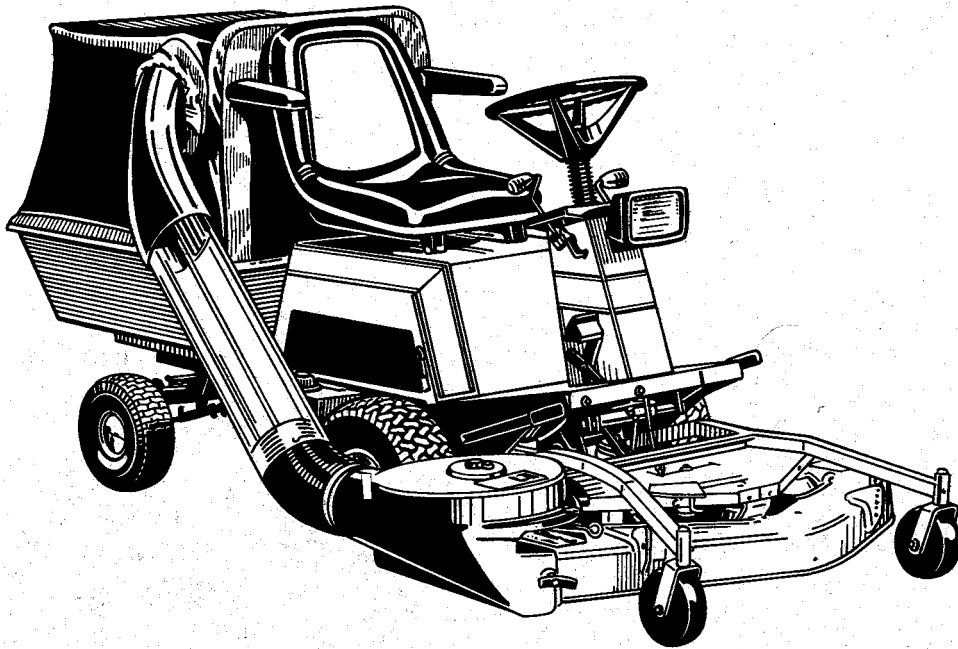


OPERATOR'S MANUAL MOWER DRIVEN VACUUM COLLECTOR FOR FRONT-CUT RIDERS



FORM - 1701250
PRINTED IN U.S.A.
8710

36" BLOWER ASSEMBLY
MFG. NO. 1691373

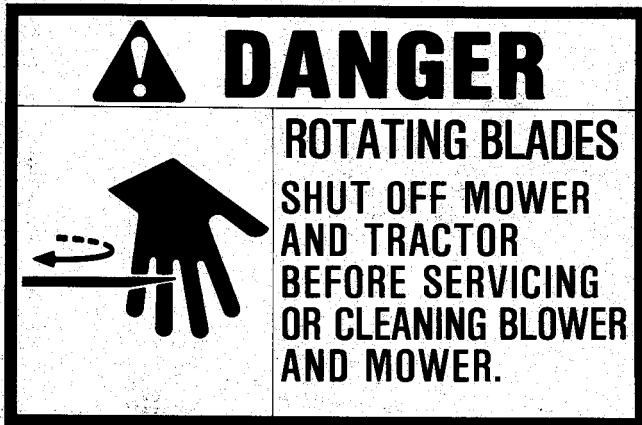
42" BLOWER ASSEMBLY
MFG. NO. 1691260

COLLECTION SYSTEM
MFG. NO. 1691245

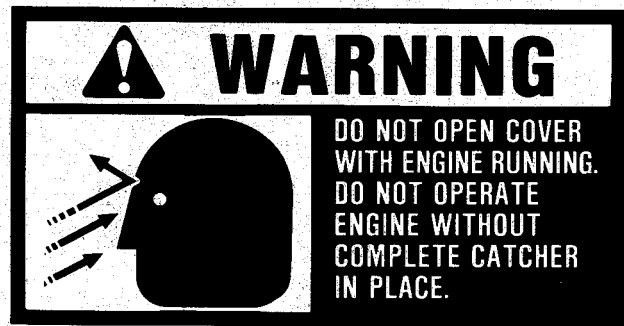
Table of Contents

Safety Decals	Inside Front Cover
Safety Rules	1
Installation	
36" Blower Assembly	2
42" Blower Assembly	5
Cart Collector	7
Maintenance	8
Operation	
Before Operation	8
Operation	8
Dumping Grass & Leaves	9
Operating Without Collection System	9
Template (36" Blower Installation)	11

Safety Decals




Located on Blower.



Located on Cart.

Safety Rules



Read these safety rules and the safety rules in your Operator's Manual and follow them closely. Failure to obey these rules could result in loss of control of vehicle, severe personal injury to yourself, or damage to property or equipment. The triangle  in the text signifies important cautions or warnings which must be followed.



WARNING

When blower assembly is removed from mower deck, the deflector must be installed as described in Operating Without Collection System.

1. Know the controls and how to stop quickly. **READ THE RIDER'S OWNER'S MANUAL.**
2. Shut the engine (motor) off before attaching, adjusting, or disconnecting the Collection System.
3. Check the cart to make sure it is bolted tightly to rider.
4. Check the latch handle to make sure it is engaged so the cart's box is locked to the frame.
5. Look behind to make sure the area is clear before backing up.
6. **DO NOT** turn sharply when the rider is alongside a building or any object.
7. **DO NOT** carry passengers in the cart.
- CAUTION:**
8. For added tractor stability and to prevent tipping or loss of control;
 - A. **DO** drive in reduced speed on uneven ground and when turning corners.
 - B. Reduce loads on hillsides. It is recommended that the Collection System be kept only half full when negotiating any slopes. Start mowing on slopes when the Collection System is empty.
 - C. Mow up and down the face of slopes; **never across the face of any slope.**
9. **CAUTION:** Objects may be thrown from mower.
For your safety:
 - A. **DO NOT** remove the cover while the mower blades are turning. Shut off the engine before opening the door or removing the grass chute.
 - B. Be sure the complete Collection System is in place (cover secure and grass chute connected) before operating the mower.
 - C. **DO** check the cart cover frequently for wear and tear. Replace with new cover for safety protection.
10. For best results when mowing grass: Set the mower to cut from 1 to 2 inches of grass. If grass is exceptionally tall, set your mower as high as possible for first cutting. Lower cutting height at succeeding cuttings until proper height is reached. It may be necessary to mow tall grass at a slower tractor speed.

INSTALLATION - 36" BLOWER ASSEMBLY

1. Remove mower deck from rider. Refer to Operator's Manual for instructions.
2. Remove arbor cover by removing four capscrews. Retain hardware for new belt cover installation.
3. Remove right-hand arbor cover bracket by removing two capscrews, lockwashers, washers, and nuts. Retain one set of hardware for new belt stop installation (step 11).
4. Remove mower drive belt from right-hand arbor pulley. PTO rod can be moved by hand to release blade brake for belt removal.
5. Remove the mower deflector by removing two carriage bolts, lockwashers and nuts (A, figure 1). Save this hardware for use when blower is removed for side discharge.

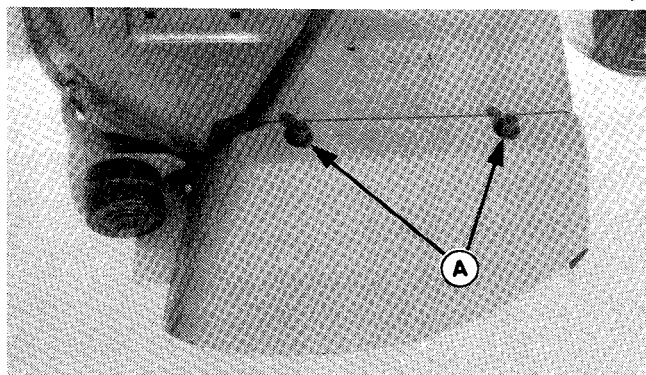


Figure 1.

A. Mounting Hardware

6. Drill a 9/32" hole in mower deck using the template supplied on the last page. Align the template with deflector mounting holes (hardware removed in step 5).
7. Remove the existing right-hand arbor pulley. Store the capscrew with the pulley. Retain the large washer and lockwasher for new pulley installation in step 12.
8. Install strap to deck with hardware shown in figure 2.

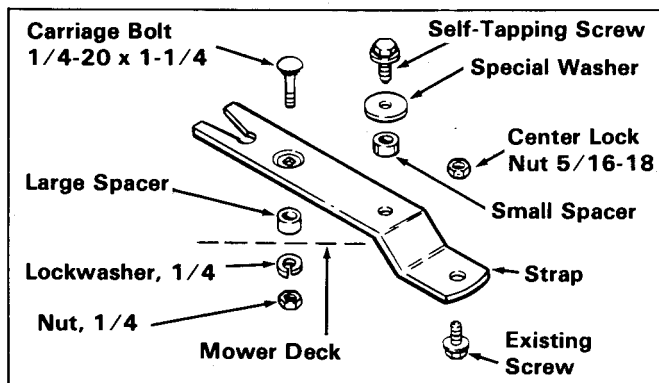


Figure 2.

9. Check the installation as shown in figure 3. The strap (A, figure 3) should be secured to mower deck using existing arbor screw and supplied jam locknut (B). Carriage bolt (C) and large spacer should be installed in drilled hole. The small spacer should be installed on top of strap with special washer (D) and self-tapping screw (E).

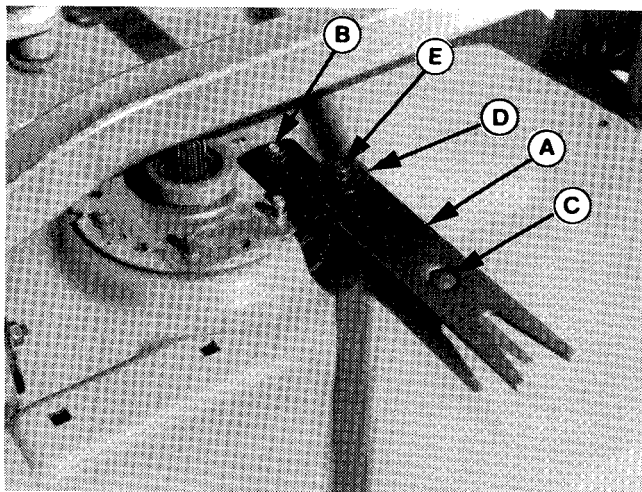


Figure 3.

- A. Strap
- B. Locknut, Jam
- C. Carriage Bolt
- D. Special Washer
- E. Self-Tapping Screw

10. Install new belt cover bracket (A, figure 4) using existing arbor screws and supplied 5/16-18 locknuts (B). Install upstop (E) on right rear post with 1/4-20 capscrew, lockwasher, and nut.

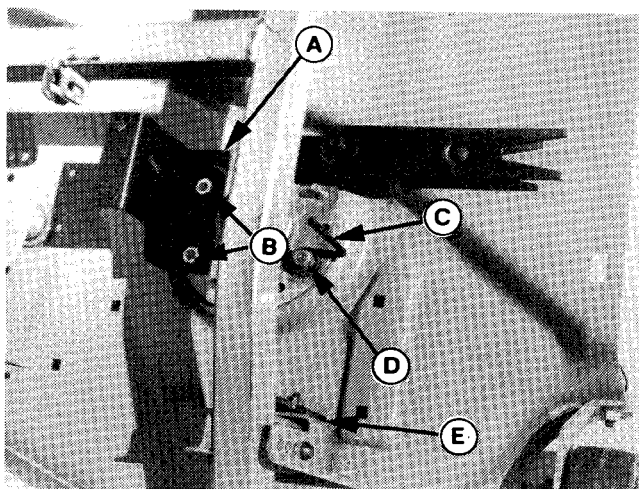


Figure 4.

- A. Belt Cover Bracket
- B. Locknuts, Jam
- C. Belt Stop
- D. Mounting Hardware
- E. Upstop

11. Install belt stop (C, figure 4) onto existing arbor screw as shown in figure 4. Secure with existing flat washer, lockwasher, and nut ((D, removed from bracket in step 3). Tighten snug only at this time.
12. Install the new double-groove pulley (A, figure 5) with 7/16-14 x 2.0 capscrew (B) and existing washer (C) and lockwasher (D). Torque to 55-70 ft. lbs. (74-95 Nm). Use a wood block to prevent blade from turning. Do not install belt at this time.

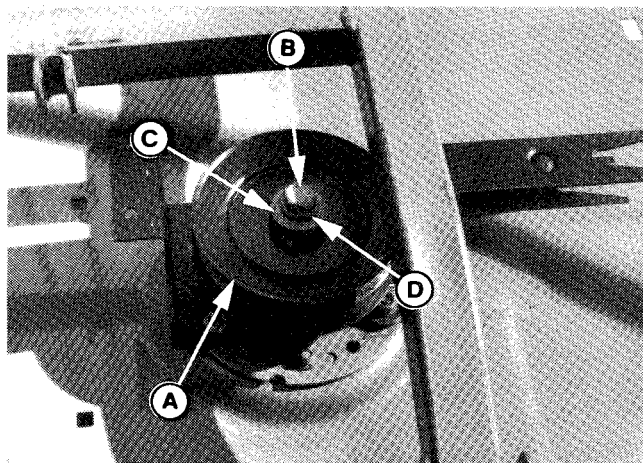


Figure 5.

- A. Pulley
- B. Capscrew
- C. Washer
- D. Lockwasher

13. Turn the mower deck upright and block in this position. Install the baffle (A, figure 6) as shown. For decks without rollers, install retainer nut (B) in baffle, then screw the 1/4" whizlock screw (C) into retainer nut. For decks with roller, use existing hardware to mount baffle (A). Insert 1/4" carriage bolt (D) from inside deck and install lockwasher and nut (E). Return mower deck to flat position.

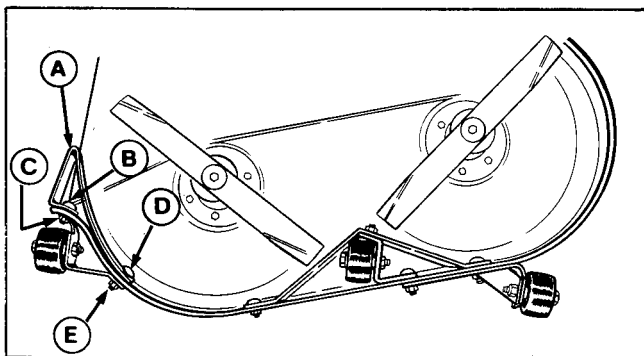


Figure 6.

- A. Baffle
- B. Retainer Nut
- C. Screw, Whizlock, 1/4-20 x 1/2
- D. Bolt, Carriage, 1/4-20 x 5/8
- E. Lockwasher and Nut, 1/4

14. Install wing nut assembly (figure 7) as follows. Insert 5/16-18 x 2-1/2 capscrew (A) and 5/16 flat washer (B) from inside the deck. Place the cup (C) onto the capscrew and install 5/16 lockwasher (D) and 5/16 nut (E). Thread the wingnut (F) onto capscrew and install the 5/16 locknut (G) flush with end of capscrew.

NOTE

Cup (C) must be installed as shown in figure 7.

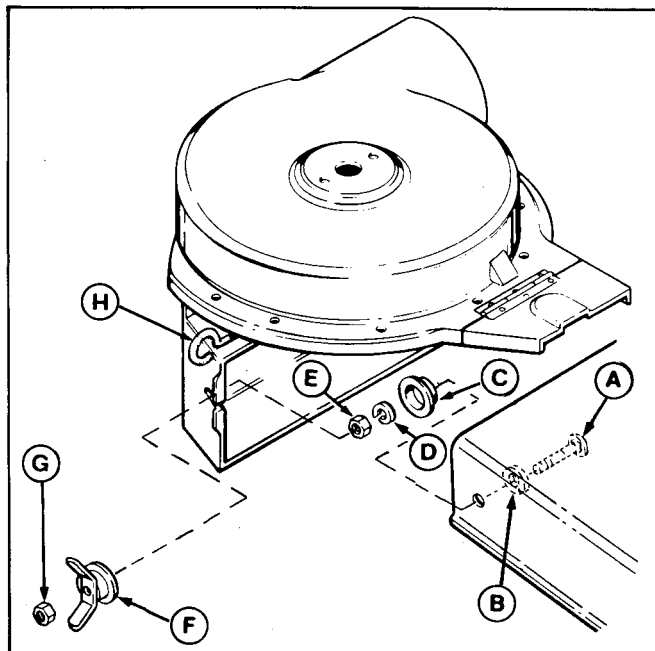


Figure 7.

- A. Capscrew
- B. Washer
- C. Cup
- D. Lockwasher
- E. Nut
- F. Wingnut
- G. Locknut
- H. Belt Retainer

15. The belt retainer (A, figure 8) must be positioned correctly. Loosen the nut (B) and position the leg (C) so it is against the side of the idler arm (D). Then, tighten the nut (B).

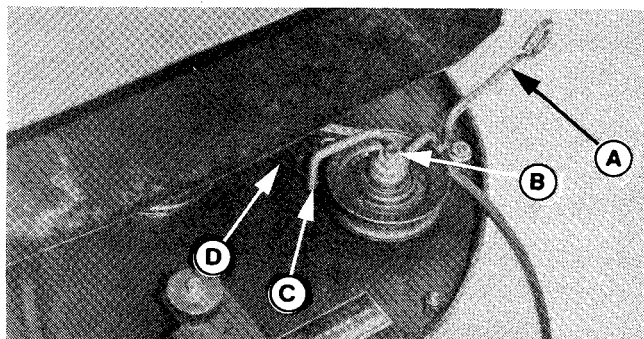


Figure 8. (Housing Viewed Upside Down)

- A. Belt Retainer
- B. Nut
- C. Leg
- D. Idler Arm

16. Install the blower assembly onto mower deck as follows:
 - a. The small notch in blower arm (not shown) will be placed onto top of deck strap spacer (A, figure 9).
 - b. The notch in deck strap (B) will accept blower arm spacer (C).
 - c. Slide the blower into position and tighten the wing nut (D).

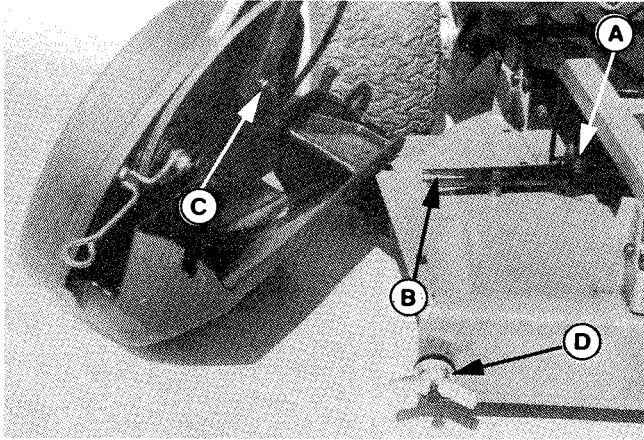


Figure 9.

- | | |
|-------------------|----------------------|
| A. Strap Spacer | C. Blower Arm Spacer |
| B. Notch in Strap | D. Wing Nut |

17. Push the belt retainer (A, figure 8) to provide slack and install belt onto lower groove of pulley as shown in figure 10. Rotate pulley while installing belt.

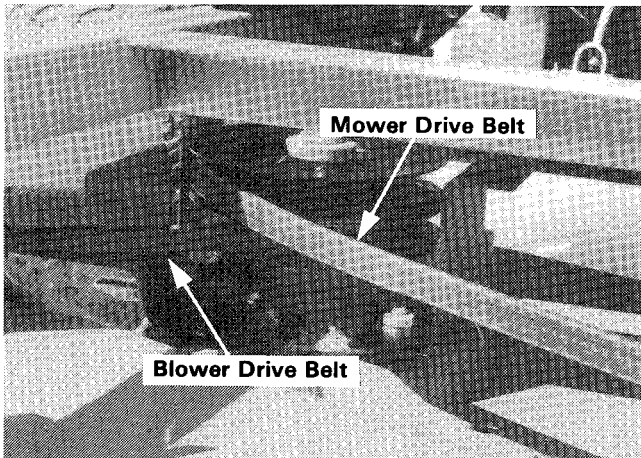


Figure 10.

18. Install the mower deck to rider. Refer to Operator's Manual for instruction. Adjust the belt stop so there is 1/8" clearance and tighten nut.
19. Place the mower deck drive belt in upper groove of pulley as shown in figure 10. Engage the PTO lever to release the blade brake.
20. Install the new belt cover ~~bracket~~ (A, figure 11) with two capscrews (B, removed in step 2) on lift end and ~~new capscrews~~, lockwashers, and nuts on right side.

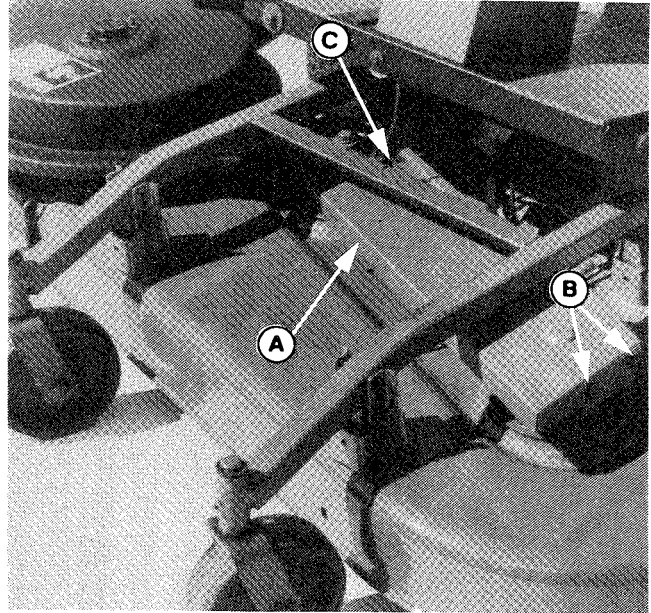


Figure 11.

- | |
|----------------------------------|
| A. Belt Cover Bracket |
| B. Existing Capscrews |
| C. New Hardware |

INSTALLATION - 42" BLOWER ASSEMBLY

1. Remove the right-hand mower cover by removing the two nuts at right-hand arbor, the screw (I, figure 12) at front and the nut (J). Remove the deflector by removing hardware at top two holes, and the front hole. Install this hardware in the deflector for future use.
2. Remove the idler pulley bolt (A, figure 13) and install the 2 inch long bolt from bottom. Install lockwasher and nut on top.
3. Place the new belt cover (A, figure 12) in position, placing hole over bolt installed in step 2. Install 3/8 nut (H, figure 12) onto the idler pulley bolt. Re-install screw (I) and washer and nut (J). Secure cover (B) to belt cover with wing nut (also shown in figure 18).

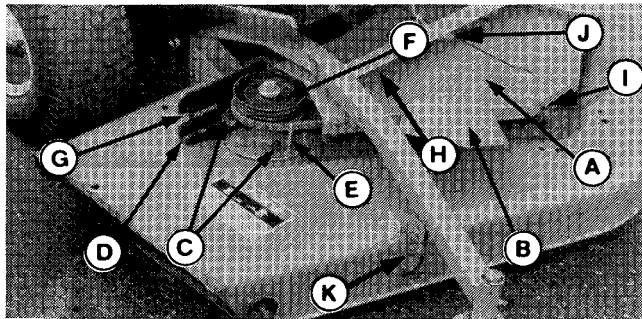


Figure 12.

- | | |
|-------------------------------|-----------|
| A. Belt Cover | F. Pulley |
| B. Arbor Cover | G. Notch |
| C. Cap screw, 5/16-18 x 1-1/4 | H. Nut |
| D. Bracket | I. Screw |
| E. Belt Stop | J. Nut |
| | K. Pin |

4. Slip mower belt off the right hand pulley (F, figure 12). Remove the pulley from the arbor by removing cap screw and washers. Save washers for reinstallation. Use wood block to prevent blade from turning.
5. Remove two self-tapping screws from arbor and install two 5/16-18 x 1-1/4 cap screws (C, figure 12). Parts will be installed on these cap screws in steps 6 and 7.
6. Install the bracket (F, figure 14) with hardware shown. The RH cap screw (G) was installed in step 5. Use hardware without belt stop at LH hole (L). The bracket is shown installed in figure 12.

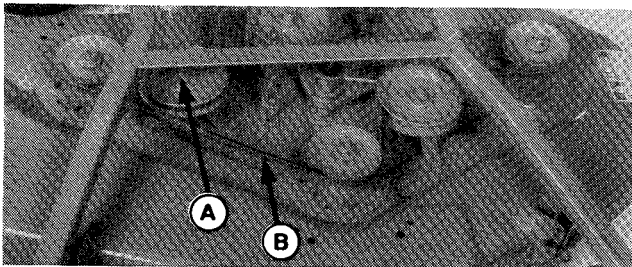


Figure 13.

- A. Idler Pulley Bolt B. Belt

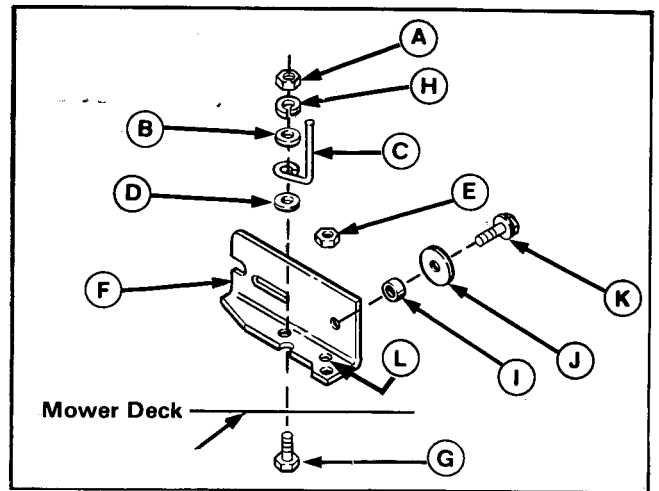


Figure 14.

- | | |
|------------------|--------------------------------|
| A. Nut, 5/16 | G. Capscrew, 5/16-18 x 1-1/4 |
| B. Washer, 5/16 | H. Lockwasher, 5/16 |
| C. Belt Stop | I. Spacer |
| D. Washer, 5/16 | J. Washer, Special |
| E. Locknut, 5/16 | K. Screw, Self-Tapping, 1/4-20 |
| F. Arbor Bracket | L. Left-Hand Mtg. Hole |

7. Install the other belt stop (E, figure 12) onto the other cap screw installed in step 5 with 5/16 washer, 5/16 lockwasher and 5/16 nut (snug).
8. Install new arbor pulley (F, figure 12) with hub down. Use 7/16-14 x 2-1/4 cap screw and washers removed in step 4. Torque to 55 to 60 ft. lbs. Use wood block to prevent blade from turning.
9. Slip the mower drive belt onto the lower groove of the new pulley (F, figure 12). With the belt engaged, adjust the belt stops 1/8" from belt. Tighten the hardware.
10. The blower belt (A, figure 15) should be installed as shown.

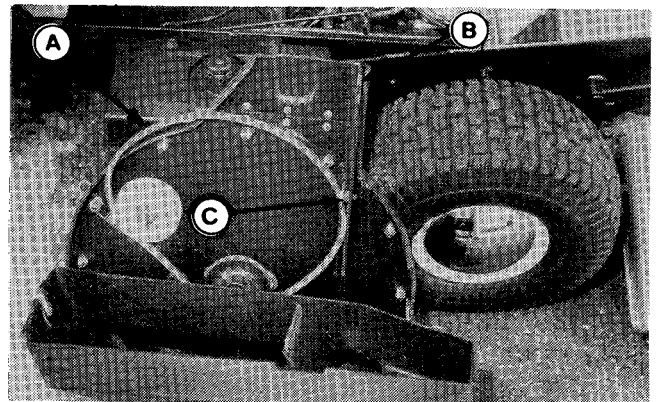


Figure 15.

- A. Belt B. Notch C. Spacer

11. Install wing nut (D, figure 16) as follows:
 - a. Remove existing hardware from front end of stone guard.
 - b. From inside deck, install new 5/16-18 x 2-1/4 carriage bolt (F, figure 16). Then install the cup (A), 5/16 lockwasher (B), and 5/16 nut (C). Tighten the nut.
 - c. Thread the wing nut (D) far enough onto the screw so that the 5/16 locknut (E) can be threaded on flush with the end of screw.

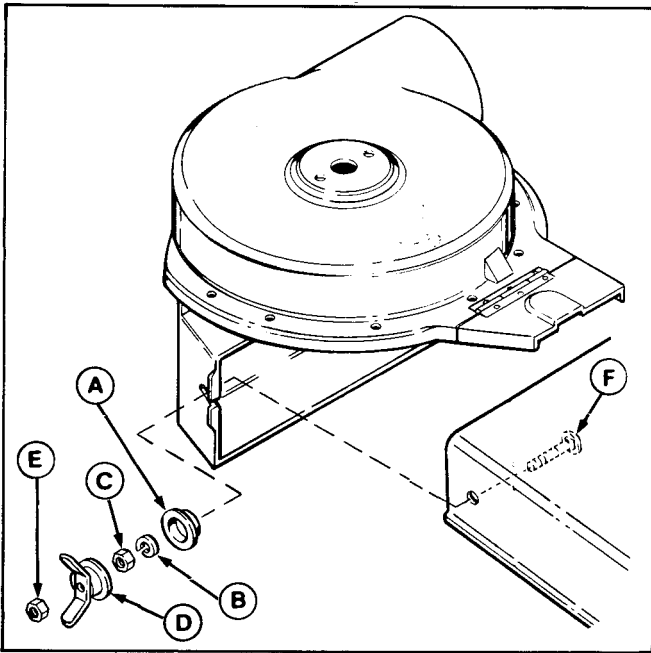


Figure 16.

- | | |
|---------------------|------------------|
| A. Cup | D. Wing Nut |
| B. Lockwasher, 5/16 | E. Locknut, 5/16 |
| C. Nut, 5/16 | F. Carriage Bolt |

12. Install the new baffle (A, figure 5B) in deck on stone guard using existing hardware. Hardware may be installed with nut to inside or nut to outside.

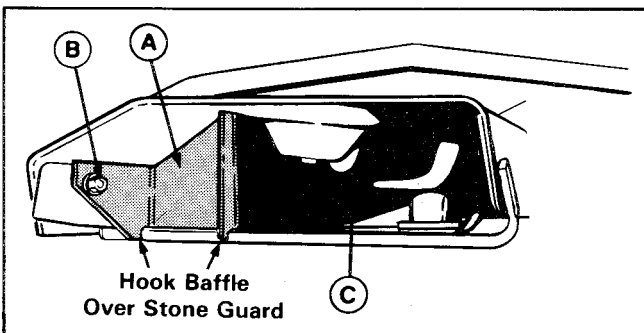


Figure 17.

- | |
|----------------------------|
| A. Baffle |
| B. Carriage Bolt |
| C. Mower Discharge Opening |

13. Install the blower assembly as follows:
 - a. Align the notch (B, figure 15) with spacer (I, figure 14) on arbor bracket. Align spacer (C, figure 15) with notch (F, figure 14) on arbor bracket. Slide the assembly into place as shown in figure 18, while aligning front notch between cup and wing nut (A, figure 18). Tighten wing nut.
 - b. Raise the flap (A, figure 19) and install the blower drive belt (C) in the top groove of the pulley (B).

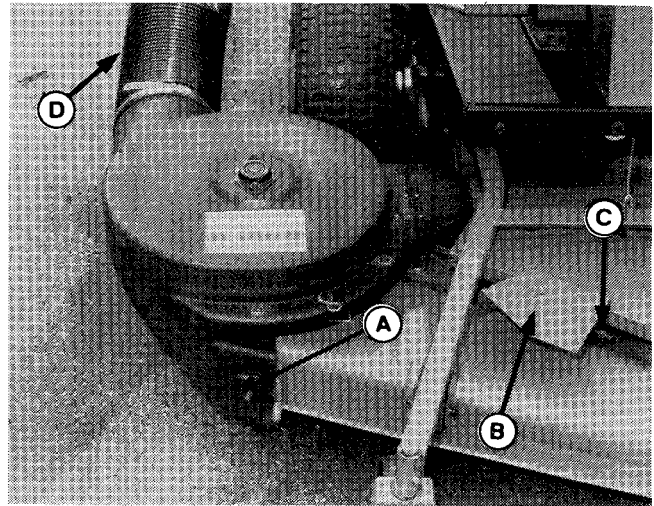


Figure 18.

- | |
|-------------|
| A. Wing Nut |
| B. Cover |
| C. Stud |
| D. Hose |

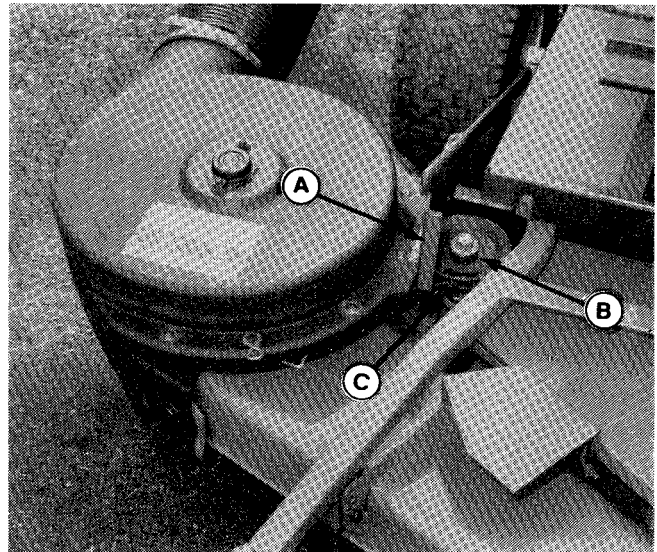


Figure 19.

- | |
|---------------|
| A. Flap |
| B. Pulley |
| C. Drive Belt |

INSTALLATION - COLLECTION SYSTEM

1. Install the frame (A, figure 20) at four locations (B) with 5/16-18 x 1-1/2 capscrew, washer and nut. Install spacers (F) at top capscrew on each side.
2. Attach the bracket (C, figure 20) with two 5/16-18 x 1-3/4 bolts (B), washers and nuts. Attach strap (E) with lower set of hardware.

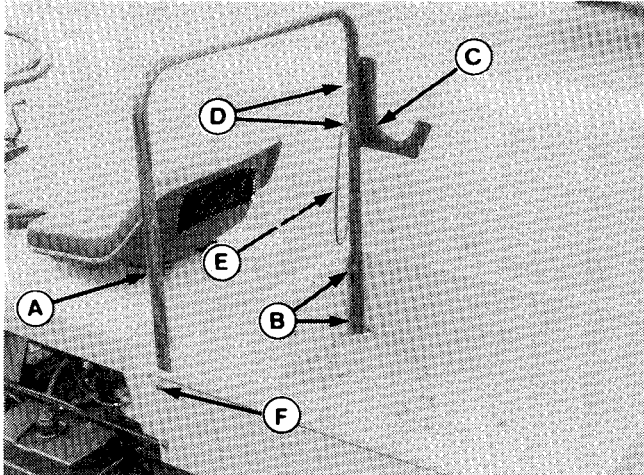


Figure 20.

- | | |
|-----------------------|-----------|
| A. Frame | D. Bolt |
| B. Fastener Locations | E. Strap |
| C. Bracket | F. Spacer |

3. The support rod and frame rod must be inserted into the cover (A, figure 21) as follows.
 - a. The frame rod (C, figure 21) must be inserted through the bottom sleeve of the cover so that the two bent ends extend out openings, which are next to the cord loops (D). The frame rod position is indicated by dotted line (B, figure 22).

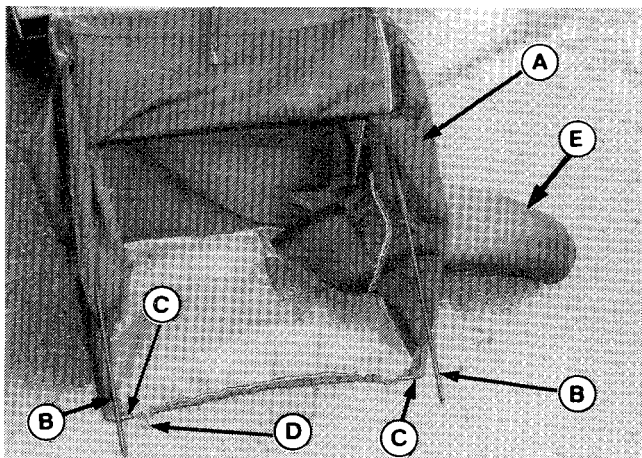


Figure 21.

- | | |
|----------------|---------------|
| A. Cover | C. Frame Rod |
| B. Support Rod | D. Cord Loops |
| E. Elbow | |

- b. The support rod (B, figure 21), which has eyebolt ends, must be threaded through the sleeve inside the cover. The position is indicated by dotted line (A, figure 22).

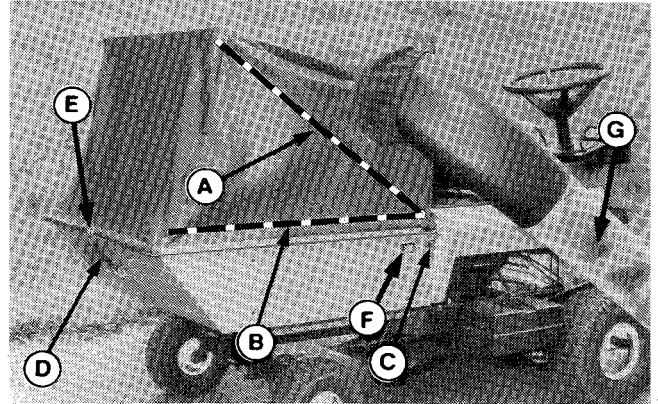


Figure 22.

- | | |
|-------------------------|-------------------|
| A. Support Rod Location | E. Clip |
| B. Frame Rod Location | F. Decal, Warning |
| C. Cord Loop | G. Tube |
| D. Strap | |

NOTE

When you pick up cover to place over the frame, be sure support rod (B, figure 21) is inside frame rod (C).

4. Insert the elbow (E, figure 21) into the cover opening.
5. Pick up the cover and place down onto the frame (A, figure 20) inserting the elbow (A, figure 23) into the bracket (B) (shown without cover for clarity). Pull the rubber strap (C) over the elbow and hook into bracket as shown.

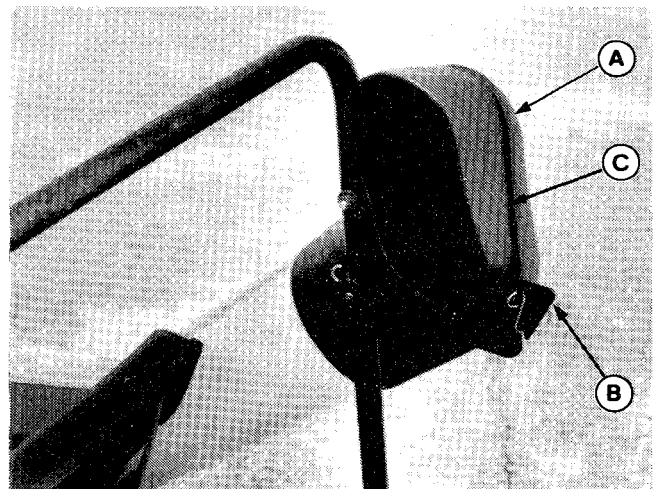


Figure 23. (Shown without cover for clarity.)

- | | | |
|----------|------------|----------|
| A. Elbow | B. Bracket | C. Strap |
|----------|------------|----------|

6. On each side, place the eyebolt of the support rod (B, figure 21) onto the frame rod, then insert frame rod (A, figure 24) through the frame (B). Insert clip (C) through frame rod to secure.
7. Insert an "S" hook to each end of the strap (D, figure 22). Hook one end through washer (E, figure 22) and pinch closed with a pliers.
8. Pull the cover down so it appears as in figure 22. To secure the front, pull the cord loops (C) onto the spacers. To secure the rear, hook the strap (D) onto back of cart as shown.
9. Install warning decal (F, figure 22) so it is visible from right-hand side. Make sure surface is clean. Remove backing paper and tack edge of decal in position. Then apply with heel of hand, smoothing out bubbles. The edge of a ruler can also be used.
10. Insert the tube (G, figure 22) securely into the hose (D, figure 18) which is clamped to the blower housing and into the elbow.

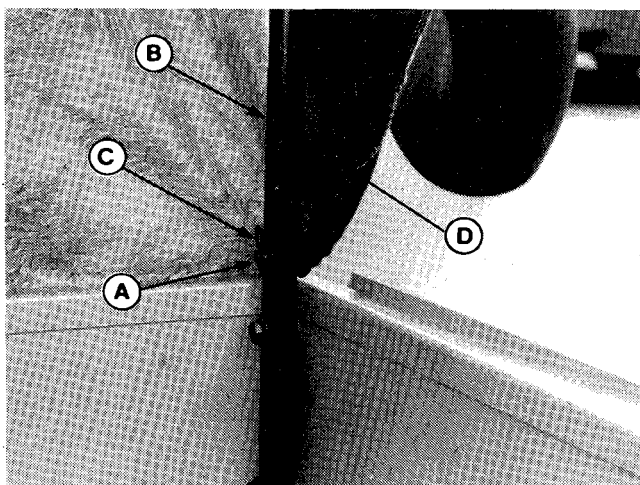


Figure 24.

- | | |
|---------------------|-----------------------|
| A. Frame Rod | C. Clip |
| B. Frame | D. Support Rod |

MODIFICATION TO RIDER

1. After installation of collection system, only one weight is required in rear. There should be one weight in rear channel.
2. Increase the rear tire pressure to 20~25 psi.

Maintenance

WARNING

The cart cover is subject to wear and deterioration. Check the cover frequently. Use an approved replacement cover.

The cover can be rinsed with a hose when dirty. A dirty cover will inhibit the fast flow of grass clippings into the cover. Do not leave grass or leaves in the cart for a long period of time.

Operation

WARNING

For safety reasons grass and debris are to be removed only after engine is shut off, key removed, and all moving parts stopped.

WARNING

Before raising cover, shut off engine, remove key, and set parking brake.

BEFORE OPERATION

Clear the lawn of all sticks, stones, wire and other debris which may be caught or thrown by the mower blades.

Clean the tube with mild detergent (other products may damage tube). The flow of grass can be seen through the tube while moving.

Check grass condition. If wet, wait until later in the day. If grass is wet plugging may occur.

For efficient bagging, air circulation under the mower deck, through the chute and into the bag is very important. For this reason, you should remove grass and debris from underside of mower deck, discharge chute and cover.

The adapter, tube and elbow can be removed as an assembly for cleaning. Remove the nuts and washers that hold the adapter to mower deck and unhook rubber strap from elbow.

OPERATION

Grass should be cut often, and not too short. If grass is too long or lush it may be necessary to keep ground speed to a minimum or to cut only half the width to prevent clogging. If grass is high, operate with mower in high cutting position. Cut the grass again in lower cutting position, if desired.

The collector is full when grass builds at the window.

Always operate with throttle at full speed.

DUMPING GRASS AND LEAVES

1. Back the rider to the desired place for unloading. Shut the rider's engine off before getting off the rider's seat.
2. Unhook the strap from the door lock and raise the cover assembly to the open position. Lock the cover in place by hooking the strap to the locking tab (figure 25).
3. Move the latch handle to the unlock position and dump the cart's box using one of the front lift handles. The connecting tube will slide off the elbow and the cart's box will dump at a 90 degree angle for quick unloading.
4. If bagging the grass clippings is desired, the grass can be pulled from the cart at the curve side into a plastic lawn bag. Also, the grass can be dumped onto a tarp for throwing into a trailer.

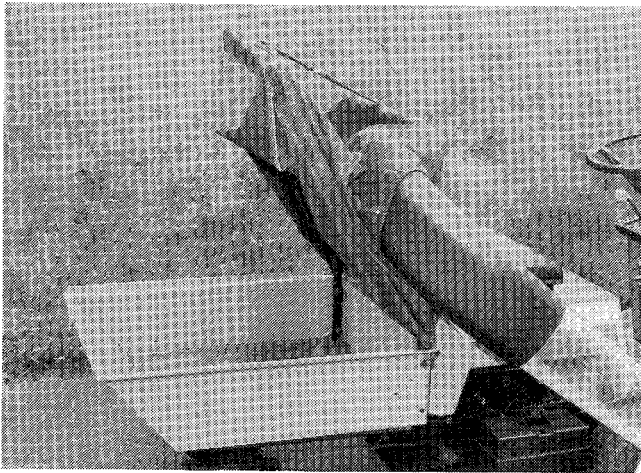


Figure 25.

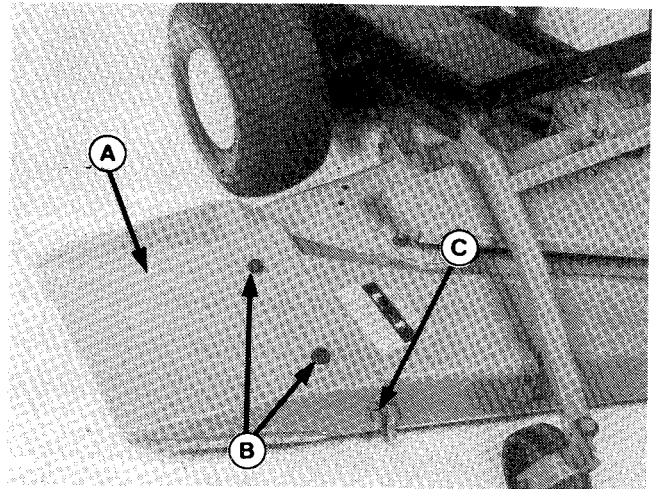


Figure 26.

- A. Deflector
- B. Nuts
- C. Nut

OPERATING WITHOUT COLLECTION SYSTEM



WARNING

When blower assembly is removed from mower deck, the deflector must be installed as described in this section.

42" Blower

To operate without the grass collection system, remove the blower by removing the front wing nut. Re-install the mower deflector (A, figure 26) by installing front nut (C) and inserting 3/8-16 x 3/4 carriage bolts in top holes (B). Install washers, lockwashers and nuts on carriage bolts.

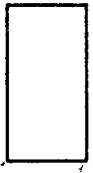
Remove the wing nut which holds the cover (B, figure 18) to belt cover. Remove the right-hand front mower attachment pin (K, figure 12). Push right-front corner of mower deck and swing the cover around so it covers the arbor (B, figure 19). Insert stud (C, figure 18) through the bracket and secure in place with the wing nut. Re-install the right-hand front attachment pin (K, figure 12).

36" Blower

To remove the blower assembly, first loosen the front wing nut. To provide belt slack, push the belt retainer (H, figure 7). Slip the belt off the pulley. The blower can be removed from deck.

Install the mower deflector (A, figure 1) with two carriage bolts, lockwashers and nuts.

EDGE OF DECK



Align with deflector mounting holes.

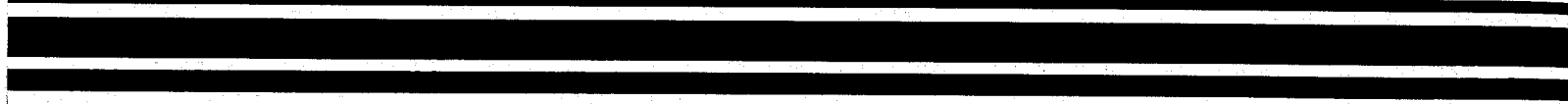


TEMPLATE FOR DRILLING MOUNTING HOLE FOR 36" TURBO VAC.

11



Drill 9/32" Dia. Hole



[The main body of the page contains extremely faint and illegible text, appearing as a light gray speckled area.]

